

SL-126 / SL-126-A24 Strobe Lights from SECO-LARM®

SL-126: 5V to 14VDC
SL-126-A24: 6V to 28VDC

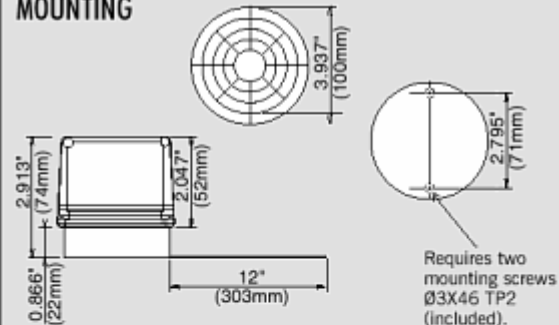


Easy 2-wire connection for
5V to 14VDC or 6V to 28VDC.

- For "informative" general signalling requirements.
 - Incorrect polarity cannot damage circuit or draw current.
 - Easy 2-wire installation, regardless of voltage.
- Also, if the strobe light is being powered by a battery, as the battery is drained the strobe light will continue to function.

- Low current consumption with long operating lifespan of over 300 continuous hours (2,000,000 flashes).
- Includes choice of amber, blue, clear, or red lens.
- Lens is made of high-impact resistant acrylic, case of high-impact resistant ABS plastic.

MOUNTING



SPEC.	SL-126	SL-126-A24
WORKING VOLTAGE	5-14VDC	6-28VDC
INPUT VOLTAGE	6-12VDC	6-24VDC
INPUT CURRENT	200mA ± 20% at 12VDC	150mA ± 20% at 24VDC
FLASH RATE	Over 90/min. at 12VDC	Over 100/min. at 24VDC
OPERATING LIFE (HOURS)	300 @ 12VDC	300 @ 24VDC
CANDLE POWER	100,000	100,000

- Use in temperature ranging from -22°F (-30°C) to 140°F (60°C).
- SL-126 -- For 5- to 14-Volt use.
- SL-126-A24 -- For 6- to 28-Volt use.
- SL-126L -- Extra lens for SL-126, SL-126-A24. Available in amber, blue, clear, and red.

SPECIFICATIONS

CIRCUITS

All solid-state

INPUT CONNECTIONS

Red/Positive Black/Ground

LEADS

#18 Gauge

ELECTRICAL PROTECTION

Reverse polarity protected

OPERATING LIFE

Over 2,000,000 flashes
(300 hours continuous)

ENVIRONMENT

-22°F (-30°C) to 140°F (60°C)

BASE

High-impact black ABS

LENS

SL-126L

Extra lens for SL-126 and
SL-126-A24.

Available in **amber**, **blue**, clear, **red**.



The SECO-LARM strobe light comes with a protective inner cover. This protects the high-voltage xenon tube when the colored lens has been removed.



